



COFFRAL

The Access Specialists!



AERIAL PLATFORMS



INDUSTRIAL RINGLOCK



GONDOLA



STAFLEX SHORING



SHORING JACKS



HEAVY DUTY SHORING



TRENCH SHORING



VERTICAL FORMWORK



CONSUMABLES



STORAGE



Coffral Column and Wall Formworks System

Framax Column and **Wall Formworks** help tackle forming tasks very swiftly and efficiently, especially in large areas. It can be fitted to any column and wall dimensions, including different structural shapes that could resist various requirements of fresh-concrete pressure.

A complete system is comprised of cost effective, long lasting, easy to assemble, and high performance safety accessories.

Coffral Column and Wall Formworks System

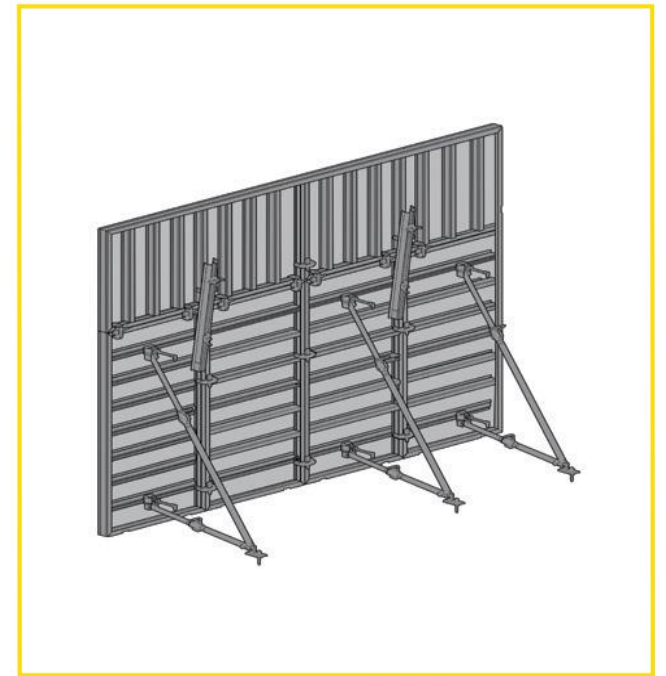
KEY DEFINITIONS

Column Formwork – squared structures that are used to support forms for poured concrete columns.

Wall Formwork – double sided formwork.



Column Formworks
System



Wall Formworks
System

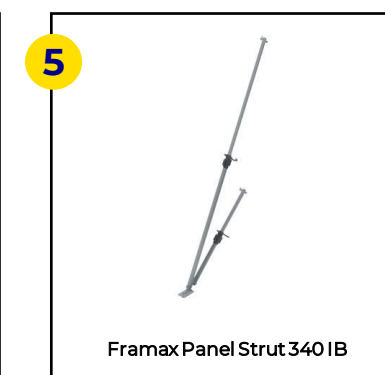
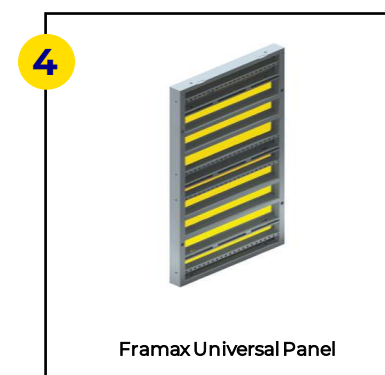
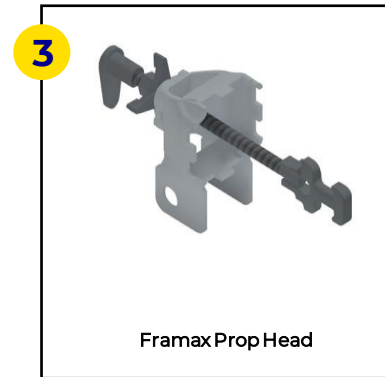
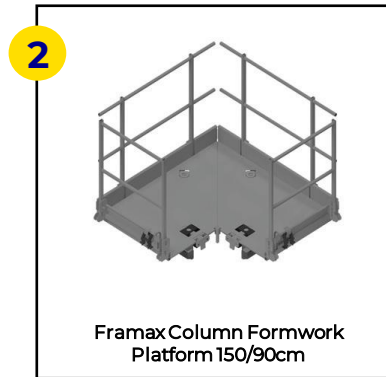
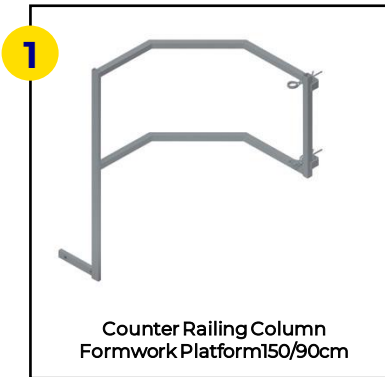
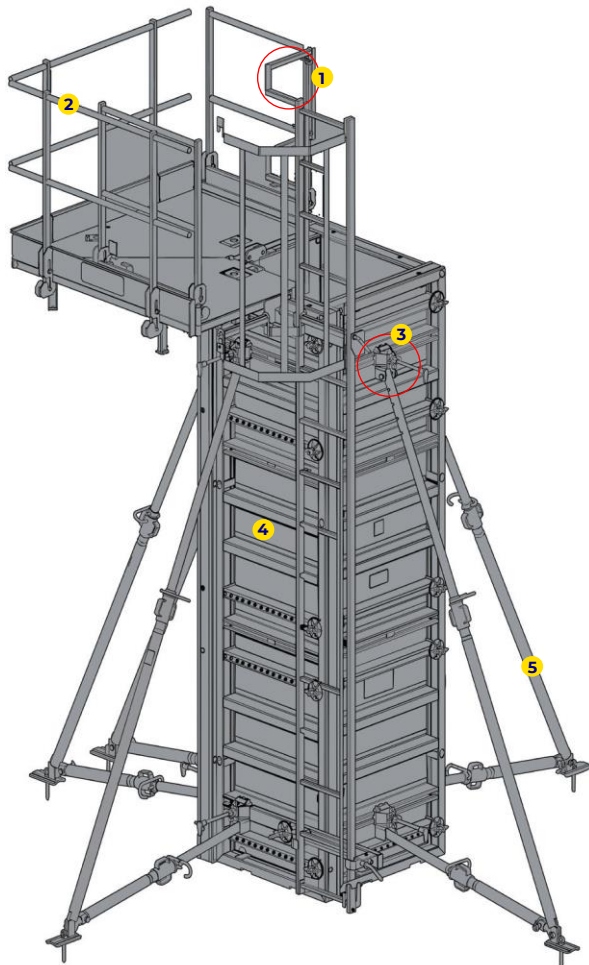


Column Formworks System

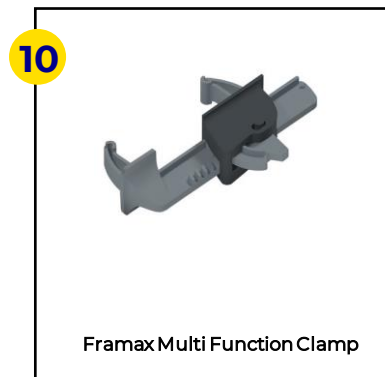
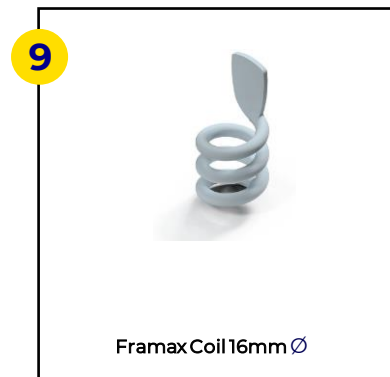
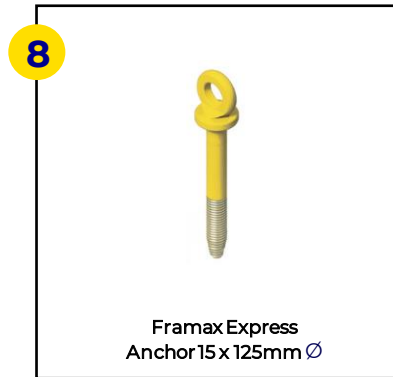
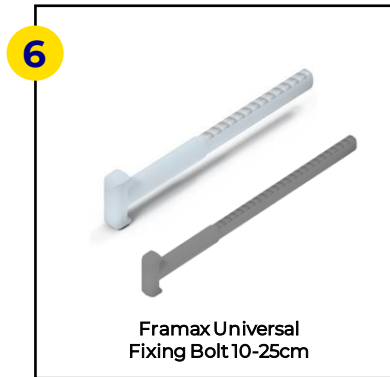
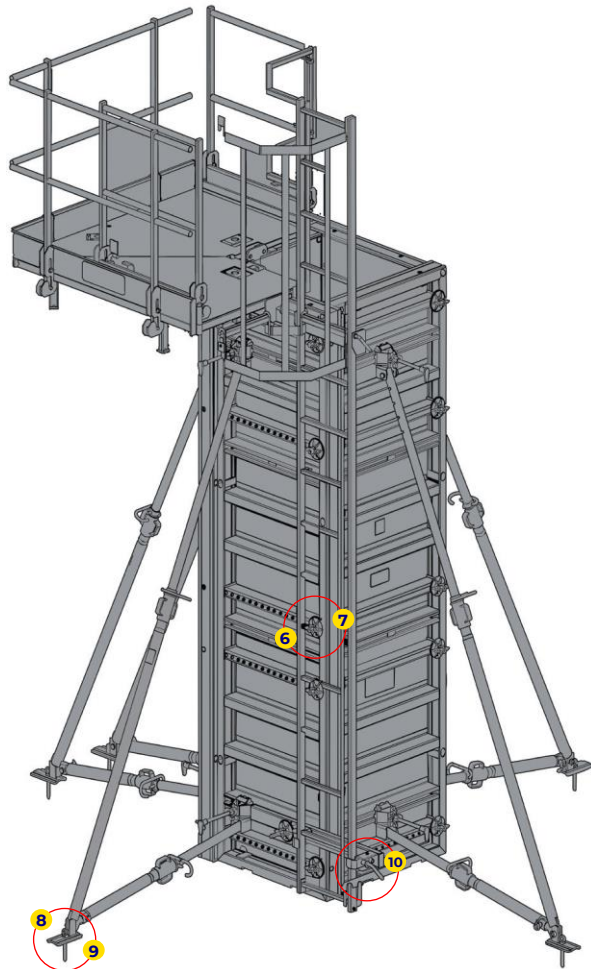
- Counter Railing Column Formwork Platform 150/90cm
- Framax Column Formworks Platform 150/90cm
- Framax Prop Head
- Framax Universal Panel
- Framax Panel Strut 340 IB
- Framax Universal Fixing Bolt 10-25cm
- Framax Super Plate
- Framax Coil 16mm Ø
- Framax Multi-Function Clamp



Column Formworks System



Column Formworks System



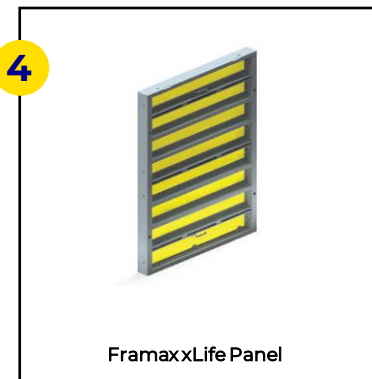
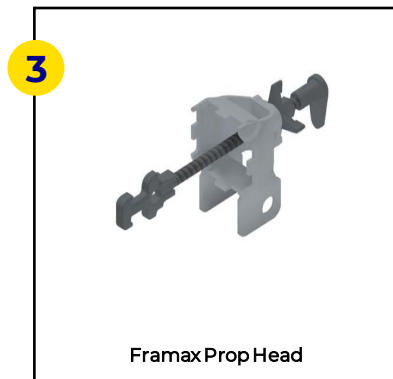
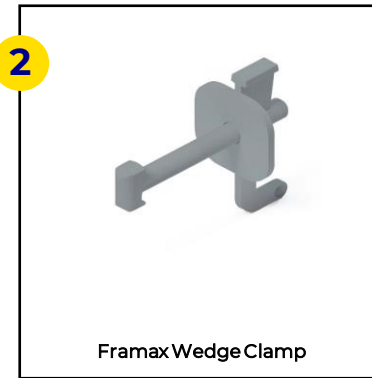
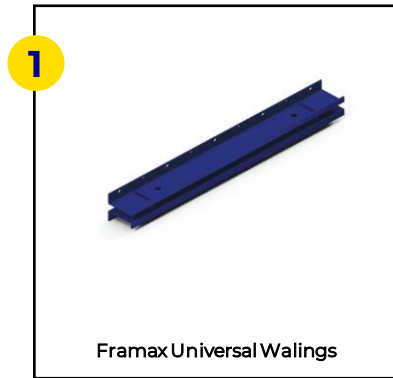
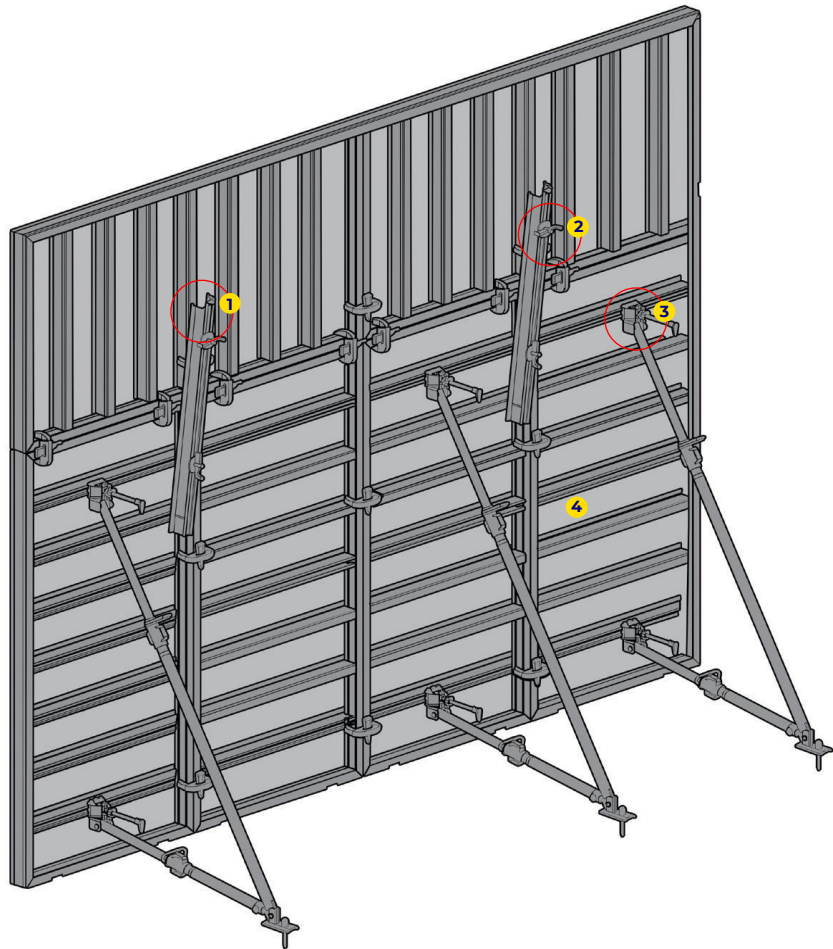


Wall Formworks System

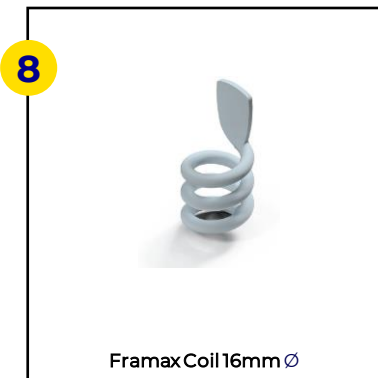
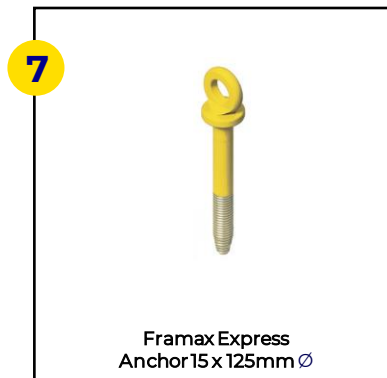
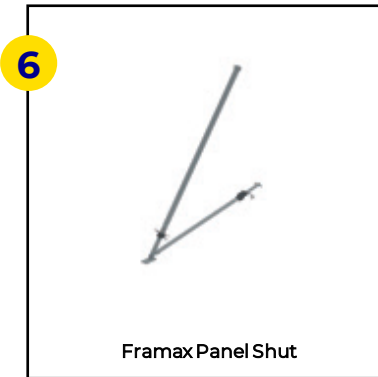
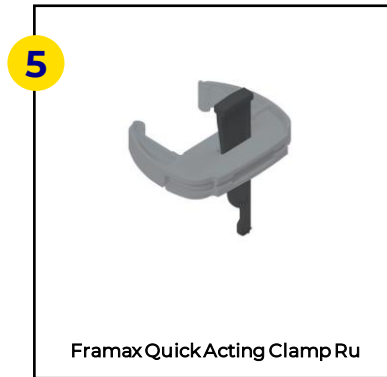
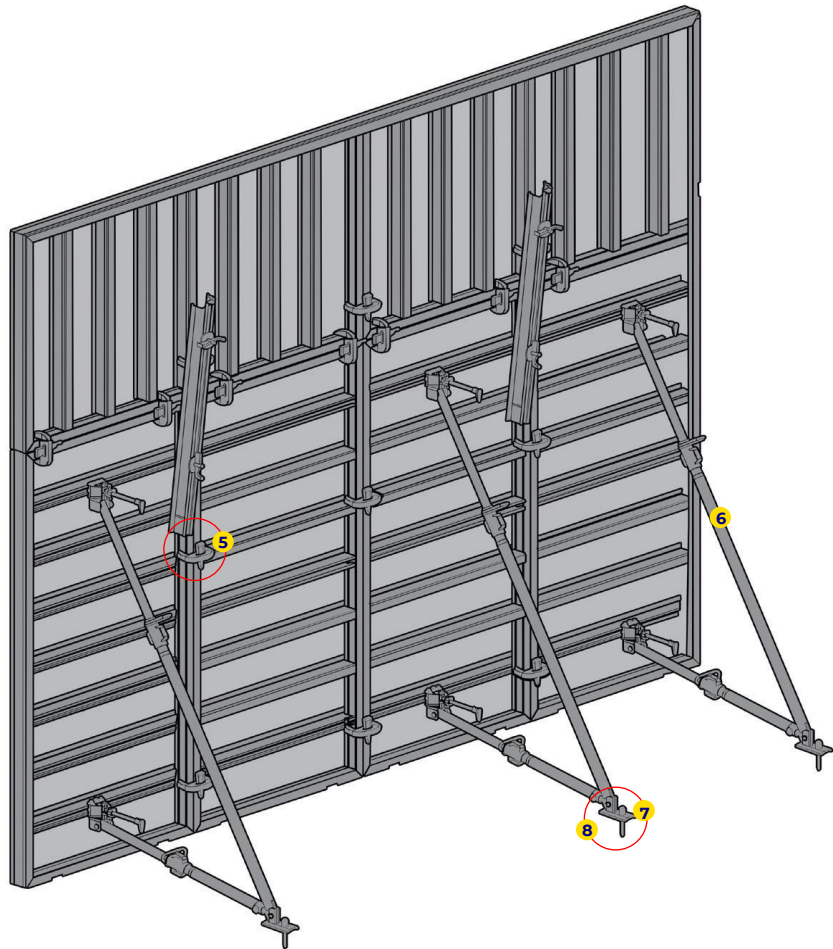
- Framax Universal Walings
- Framax Quick Acting Clamp Ru
- Framax Express Anchor 15 x 125mm Ø
- Framax Coil 16mm Ø
- Framax Wedge Clamp
- Framax Prop Head
- Framax xLife Panel
- Framax Panel Shut



Wall Formworks System



Wall Formworks System



CHAMPION PROJECTS





New 5 Star Hotel In Bangkok

2022-2023 | 📍 Silom, Bangkok, Thailand



column and wall
formwork for
new building
construction.



VERTICAL FORMWORK

Suvarnabhumi Airport

2017-2019 | 📍 Samut prakan, Thailand



column and wall
formwork for
new building
construction.

Thank you!

**COFFRAL
ASIA**

COFFRAL PHILIPPINES



www.coffral.ph

inquiry@coffral.ph

Unit 2701 Summit One Tower, 530 Shaw Blvd., Mandaluyong City, 1550, Philippines

COFFRAL THAILAND



www.coffral.co.th

inquiry@coffral.co.th

72 soi Ratchada Niwet Yaek 3, Samsen Nok, Huai Khwang, Bangkok 10310, Thailand



FOLLOW US

[coffralasia](#)
[coffralasia](#)
[CoffralAsia](#)

Equipment Rental + Certified Operators + Doctor JLG

AERIAL PLATFORMS

RENTAL SALES ENGINEERING TRAINING INSTALLATION SUPERVISION



SCISSOR LIFT



BOOM LIFT